



Sensor head: SD-C050(P)-□-△

(P): Default digital output NPN as null, and digital output option P (PNP) is available.

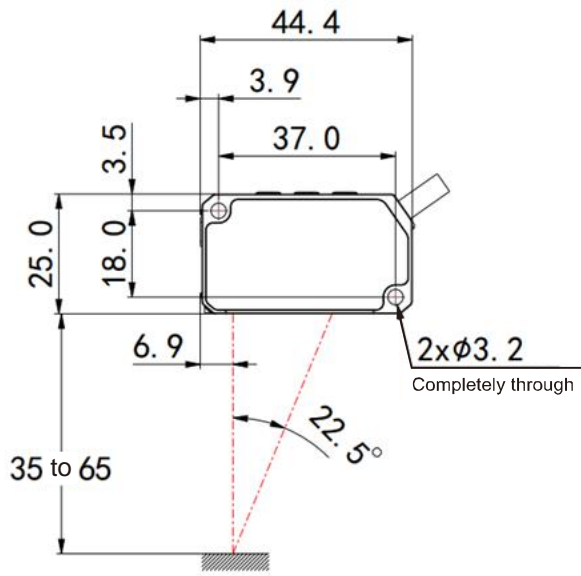
□: Option 485(RS485 communication protocol) or V (Voltage) or A (Current) are available.

△: Optional cable length of 2M or 5M

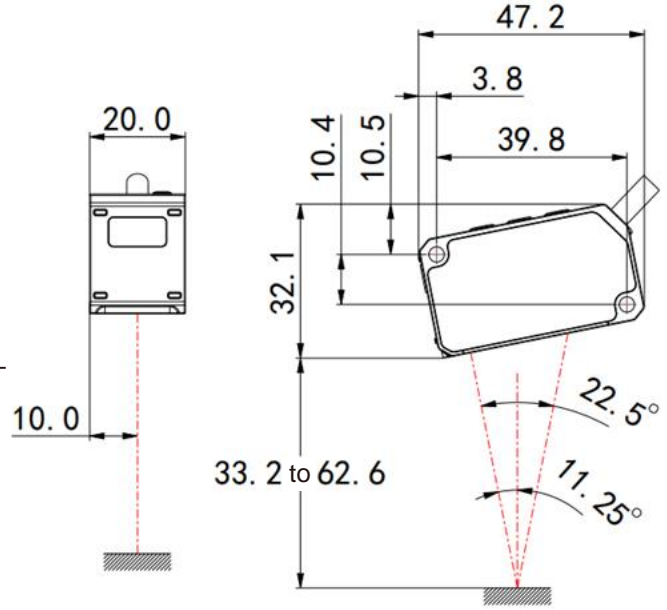
Specification

Model	SD-C050(P)-□-△	
Reference distance (RF)	50mm	
Measurement range	±15mm	
Light source	Light source wavelength	655nm
	Laser class	Class II
	Output power	1mW
Spot diameter (beam size)	70μm	
Repeatability	15μm	
Linearity	±0.1% F.S.	
Temperature characteristics	±0.05% F.S./°C	
Sampling frequency (Hz)	100/200/1000Hz (3 options)	
Input / Output	Communication port	One port of RS485 (support ModbusRTU)
	Analog output	One channel analog output, analog voltage (0~5V) or analog current (4~20mA). It's not switchable for analog voltage or analog current.
	I/O Input	One channel, supports laser on/off, teaching, triggering, zero reset, etc.
	I/O Output	One channel, judging status output.
Power supply voltage	DC12~24V±10%	
Current consumption	Below 60mA (DC 12V); Below 40mA (DC 24V)	
Operating temperature	-10 ~ 50°C	
Storage temperature	-20 ~ 60°C	
Operating humidity	35% ~ 85% (No condensation and frost are allowed)	
ESD protection	Contact discharge 4kv, air discharge 8kv, comply with IEC 61000-4-2	
EFT protection	Power port 2kv/5or 100kHz,signal port 1kv/5 or 100kHz, comply with IEC61000-4-4	
Shock resistance	500m/s ² (Approximately 50G), three times each for X, Y, Z direction	
Vibration resistance	10~55Hz, Double Amplitude 1.5mm, two hours each for X, Y, Z direction	
Protection	IP67 ,comply with IEC 60529	
Dimension (mm)	37*25*20	
Weight (g)	86 (including 2m-long cable)	

Dimension



Installation for diffuse-reflection type



Installation for mirror-reflection type